

Condensing Unit

Technical Data Sheet

Model CMX21TBa1N
Voltage 220-240V 50Hz~1
Refrigerant R404A

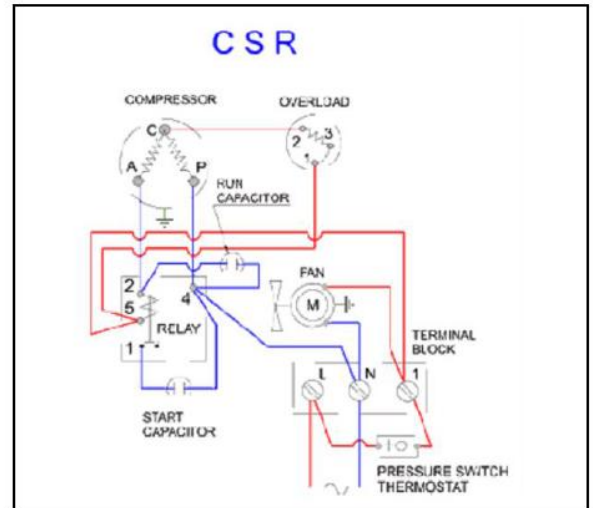
| APPLICATION | | COMPRESSOR | | MOTOR | |
|--------------------|--------------------|--------------|-----------------------|----------------------|------------------|
| Application | High Back Pressure | Displacement | 20,72 cm ³ | Approximate Power | 1 hp |
| Refrigerant | R404A | Diameter | 34,93 mm | Voltage/Frequency | 220-240V 50Hz |
| Evaporating temp. | -15°C to 10°C | Stroke | 21,62 mm | Voltage range | 198-255 V |
| Expansion | Capillar / Valve | Oil type | ISO VG 32 ESTER | Type | CSR |
| Max. ambient temp. | 43,00°C | Oil charge | 500 cm ³ | Phase number | 1 PH |
| | | | | Locked rotor current | 37,00 A |

| NOMINAL PERFORMANCE | ASHRAE |
|----------------------|--------|
| Cooling Capacity (W) | 2603 |
| COP (W/W) | 1.88 |
| EER (kcal/Wh) | 1.62 |
| Input Power (W) | 1384 |
| Current (A) | 6.00 |

| TEST CYCLE CONDITIONS | HBP (D) |
|------------------------|-----------|
| Evaporating temp. (°C) | 7,2 |
| Condensing temp. (°C) | 55 |
| Liquid temp. (°C) | 46 |
| Ambient temp. (°C) | 35 |
| Suction temp. (°C) | 35 |
| Tens/Freq (V/Hz) | 220V 50Hz |

| CONDENSER DATA | |
|------------------------|---------------------|
| Condenser type | CU-AL |
| Condenser model | 16T 4R (33) |
| Fan Blade (Ø [mm] / °) | 300 / 27 |
| Fan motor | 34/37W 230V 50/60Hz |

ELECTRICAL DIAGRAM



| REFRIGERATION CAPACITY (W) | | | | | | | | | |
|------------------------------|-------|-----|------|------|------|------|------|------|------|
| Evaporating Temperature (°C) | | | | | | | | | |
| Model | Motor | 7.2 | | | | 10 | | | 10 |
| | | -25 | -15 | -5 | 5 | W | Winp | A | |
| CMX21TBa1N | CSR | - | 1265 | 1798 | 2445 | 2603 | 1384 | 6.00 | 2812 |

Ashrae HBP: Condensing temperature: 55°C, Liquid temperature: 46°C, Suction temperature: 35°C, Ambient temperature: 35°C

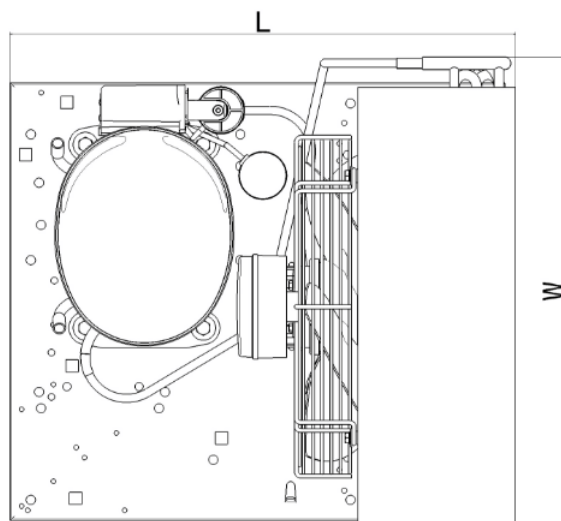
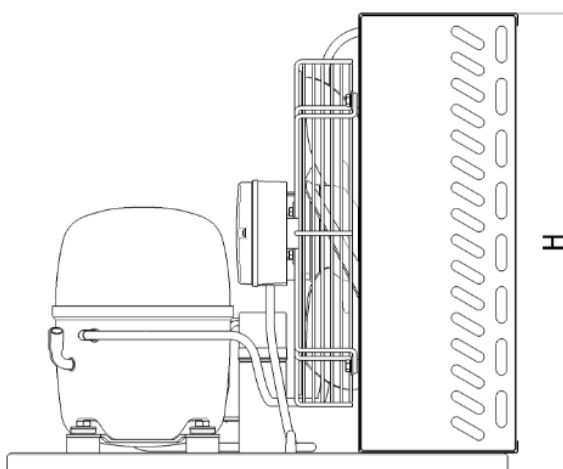
Condensing Unit
Technical Data Sheet

VERSIONS

| VERSION 1 | | | | |
|--------------------------------------|--|--|--|--|
| Tube | | | | |
| Suction tube internal diam.: 9.7mm | | | | |
| Discharge tube internal diam.: 6.5mm | | | | |

DIMENSIONS

VERSION 1



| MODEL | W x L x H (mm) |
|-----------|-----------------|
| Version 1 | 460 x 490 x 440 |