

Technical Data Sheet

Compressor model **MS26TG_V**
 Voltage **200-220/230V 50/60Hz ~1**
 Refrigerant **R404A**

APPLICATION

COMPRESSOR

MOTOR

Application	High-Medium Back Pressure	Displacement	25,93 cm ³	Nominal Power	1 3/8 hp
Refrigerant	R404A	Diameter	39,98 mm	Voltage/Frequency	200-220V 50Hz
Evaporating Temp.	-25,0 °C to 10,0 °C	Stroke	20,65 mm	Voltage range	170-242 V
Expansion	Capillar/Valve	Net Weight	22,55 Kg	Type	CSR
Comp. Cooling	Fan cooled	Oil type	ISO VG 46 ESTER	Phase number	1 PH
Max. ambient temp.	43,0 °C	Oil charge	700 cm ³	Locked Rotor Amps (LRA)	41,50 A
				Max. Cont. Current (MCC)	13,00 A
				Main W. resist. at 25°C	1,20 Ω
				Start W. resist. at 25°C	3,93 Ω

NOMINAL PERFORMANCE

	ASHRAE	CECOMAF
Cooling Capacity	3.450 kCal/h	3.166 W
COP	2,46 W/W	2,00 W/W
EER	2,12 kCal/Wh	1,72 kCal/Wh
Input Power	1.630 W	1.587 W
Current	8,80 A	8,57 A

APPROVALS



TEST CYCLE CONDITIONS

	ASHRAE HMBP (D)	CECOMAF HMBP (C)
Evaporating temp. (T _e)	7,2 °C	5,0 °C
Condensing temp. (T _c)	55,0 °C	55,0 °C
Liquid temp. (T _{liq.})	46,0 °C	55,0 °C
Ambient temp. (T _{amb.})	35,0 °C	32,0 °C
Suction temp. (T _{suction})	35,0 °C	32,0 °C
Voltage/Frequency	200 V 50 Hz	200 V 50 Hz

ELECTRICAL COMPONENTS

Starting capacitor	88-108 μF 330 V		
Run capacitor	25 μF 420 V		
Relay	Option 1	Option 2	
Reference	3ARR3 10S3	RVA 3AG..	
Pick-Up	180-195 V	180-195 V	
Drop-Out	40-105 V	40-105 V	
Protector	Option 1	Option 2	
Reference	MRA38142	T0257	
Current	24,00 A	24,00 A	
Time check	7,5-14 seg	6,0-16 seg	
Disc temp. (Open/Close)	120,00 / 52,00 °C	120,00 / 52,00 °C	

Technical Data Sheet

ASHRAE

Tc °C	Te °C	Cooling Capacity kCal/h	Consumption W	Current A	COP W/W	EER kCal/Wh
40	-25	1.105	765	4,66	1,68	1,44
40	-20	1.482	873	5,11	1,98	1,70
40	-15	1.914	976	5,56	2,28	1,96
40	-10	2.401	1.076	6,01	2,60	2,23
40	-5	2.944	1.172	6,46	2,92	2,51
40	0	3.542	1.264	6,91	3,26	2,80
40	5	4.195	1.352	7,34	3,61	3,10
40	7,2	4.500	1.390	7,53	3,77	3,24
40	10	4.903	1.437	7,77	3,97	3,41

45	-25	960	760	4,64	1,47	1,26
45	-20	1.305	881	5,15	1,72	1,48
45	-15	1.705	998	5,66	1,99	1,71
45	-10	2.161	1.111	6,17	2,26	1,95
45	-5	2.672	1.220	6,69	2,55	2,19
45	0	3.238	1.325	7,21	2,84	2,44
45	5	3.859	1.427	7,72	3,15	2,71
45	7,2	4.150	1.470	7,95	3,28	2,82
45	10	4.536	1.524	8,23	3,46	2,98

50	-25	815	755	4,62	1,26	1,08
50	-20	1.128	889	5,18	1,48	1,27
50	-15	1.497	1.019	5,76	1,71	1,47
50	-10	1.920	1.145	6,34	1,95	1,68
50	-5	2.399	1.268	6,92	2,20	1,89
50	0	2.934	1.386	7,51	2,46	2,12
50	5	3.523	1.501	8,11	2,73	2,35
50	7,2	3.800	1.550	8,37	2,85	2,45
50	10	4.168	1.612	8,70	3,01	2,59

55	-25	670	750	4,60	1,04	0,89
55	-20	951	897	5,22	1,23	1,06
55	-15	1.288	1.041	5,85	1,44	1,24
55	-10	1.680	1.180	6,50	1,66	1,42
55	-5	2.127	1.316	7,16	1,88	1,62
55	0	2.630	1.447	7,83	2,11	1,82
55	5	3.187	1.575	8,50	2,35	2,02
55	7,2	3.450	1.630	8,80	2,46	2,12
55	10	3.800	1.699	9,18	2,60	2,24

60	-25	525	745	4,58	0,82	0,70
60	-20	775	905	5,25	1,00	0,86
60	-15	1.079	1.062	5,95	1,18	1,02
60	-10	1.440	1.215	6,67	1,38	1,19
60	-5	1.855	1.363	7,40	1,58	1,36
60	0	2.325	1.508	8,15	1,79	1,54
60	5	2.851	1.649	8,91	2,01	1,73
60	7,2	3.100	1.710	9,24	2,11	1,81
60	10	3.432	1.786	9,67	2,23	1,92

CECOMAF

Tc °C	Te °C	Cooling Capacity W	Consumption W	Current A	COP W/W	EER kCal/Wh
40	-25	1.155	769	4,68	1,50	1,30
40	-20	1.560	878	5,13	1,78	1,54
40	-15	2.018	982	5,59	2,06	1,78
40	-10	2.530	1.083	6,04	2,34	2,02
40	-5	3.095	1.180	6,50	2,62	2,27
40	0	3.714	1.273	6,95	2,92	2,52
40	5	4.386	1.362	7,39	3,22	2,78
40	7,2	4.699	1.401	7,59	3,35	2,90
40	10	5.112	1.448	7,83	3,53	3,05

45	-25	994	764	4,66	1,30	1,12
45	-20	1.358	886	5,17	1,53	1,32
45	-15	1.775	1.004	5,69	1,77	1,53
45	-10	2.246	1.118	6,21	2,01	1,74
45	-5	2.770	1.228	6,73	2,26	1,95
45	0	3.348	1.334	7,25	2,51	2,17
45	5	3.979	1.437	7,78	2,77	2,39
45	7,2	4.274	1.481	8,00	2,89	2,49
45	10	4.664	1.536	8,29	3,04	2,62

50	-25	833	759	4,64	1,10	0,95
50	-20	1.155	894	5,20	1,29	1,12
50	-15	1.532	1.025	5,78	1,49	1,29
50	-10	1.962	1.153	6,37	1,70	1,47
50	-5	2.445	1.276	6,96	1,92	1,66
50	0	2.982	1.396	7,56	2,14	1,85
50	5	3.573	1.512	8,17	2,36	2,04
50	7,2	3.850	1.562	8,43	2,46	2,13
50	10	4.217	1.624	8,77	2,60	2,24

55	-25	671	754	4,62	0,89	0,77
55	-20	953	902	5,24	1,06	0,91
55	-15	1.289	1.047	5,88	1,23	1,06
55	-10	1.678	1.187	6,54	1,41	1,22
55	-5	2.120	1.324	7,20	1,60	1,38
55	0	2.617	1.457	7,88	1,80	1,55
55	5	3.166	1.587	8,57	2,00	1,72
55	7,2	3.425	1.643	8,87	2,09	1,80
55	10	3.769	1.712	9,26	2,20	1,90

60	-25	510	749	4,60	0,68	0,59
60	-20	751	911	5,28	0,82	0,71
60	-15	1.046	1.068	5,98	0,98	0,85
60	-10	1.394	1.222	6,70	1,14	0,99
60	-5	1.796	1.372	7,44	1,31	1,13
60	0	2.251	1.519	8,20	1,48	1,28
60	5	2.760	1.662	8,97	1,66	1,44
60	7,2	3.000	1.723	9,32	1,74	1,50
60	10	3.322	1.800	9,75	1,85	1,59

Technical Data Sheet

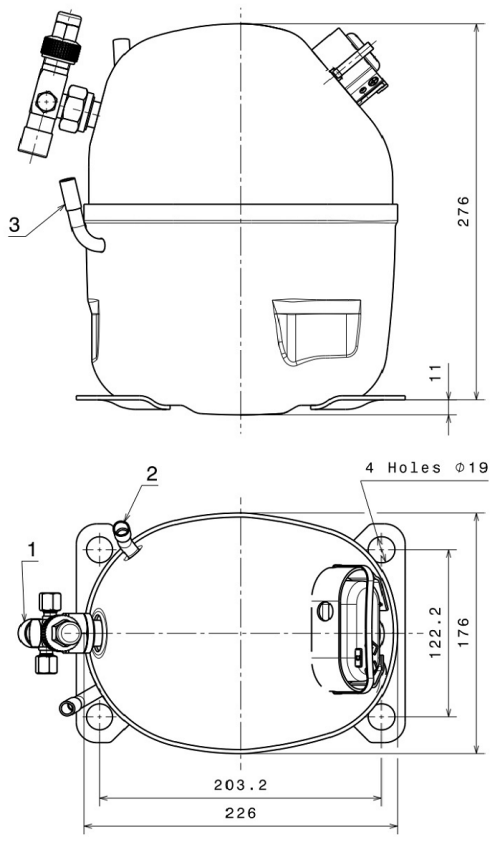
EN12900

X	Cooling Capacity (W)	Consumption (W)	Current (A)	Mass Flow (kg/h)
1	6.632,6422049871	803,0851481016	4,2878825052	133,6286092868
2	194,7566927327	-2,5369558681	-0,0164143271	4,3202232344381
3	-75,4604345434	12,7171700979	0,0695160567	-0,76781032708348
4	1,0129330345	-0,0601664716	0,0003624697	0,047751067109128
5	-1,7387615043	0,5498746300	0,0029504752	-0,0063050986313255

Equation	$x_1 + x_2Te + x_3Tc + x_4Te^2 + x_5TeTc$
----------	---

Technical Data Sheet

COMPRESSOR DIMENSIONS

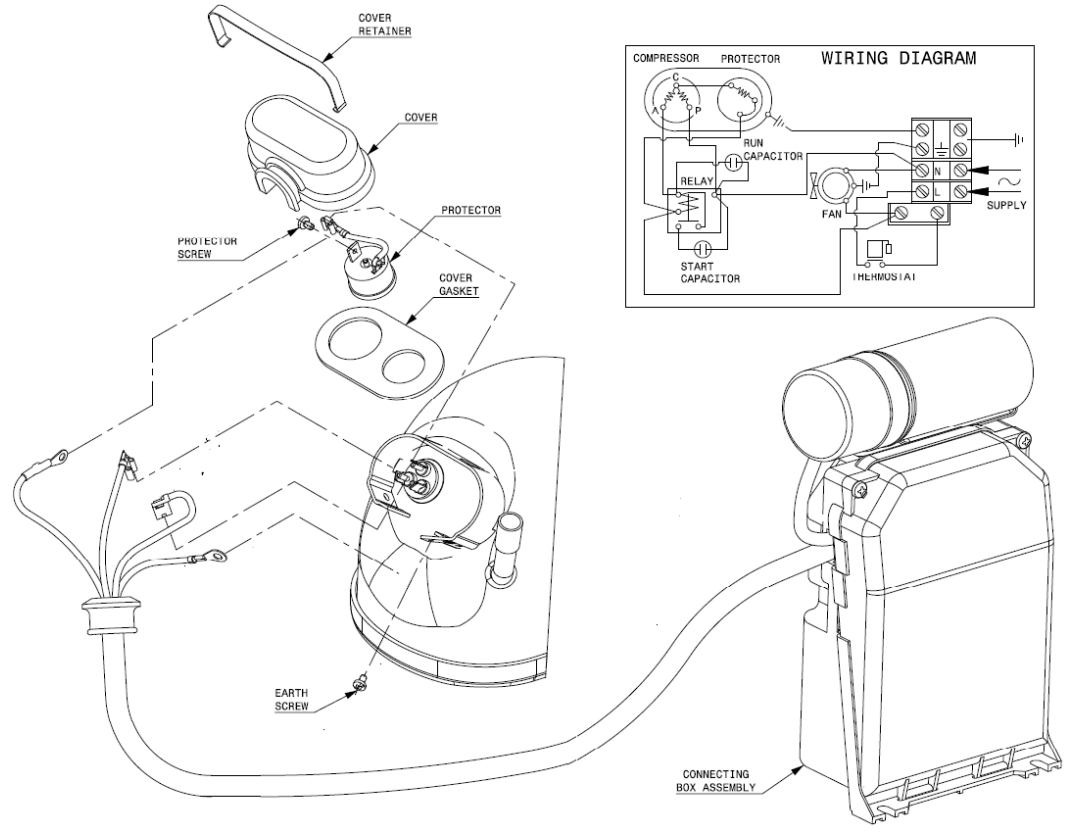


DESIGNATION INTERNAL DIAM.

1	Service Valve	5/8" SAE
2	Service	9,7 mm
3	Discharge	8,0 mm

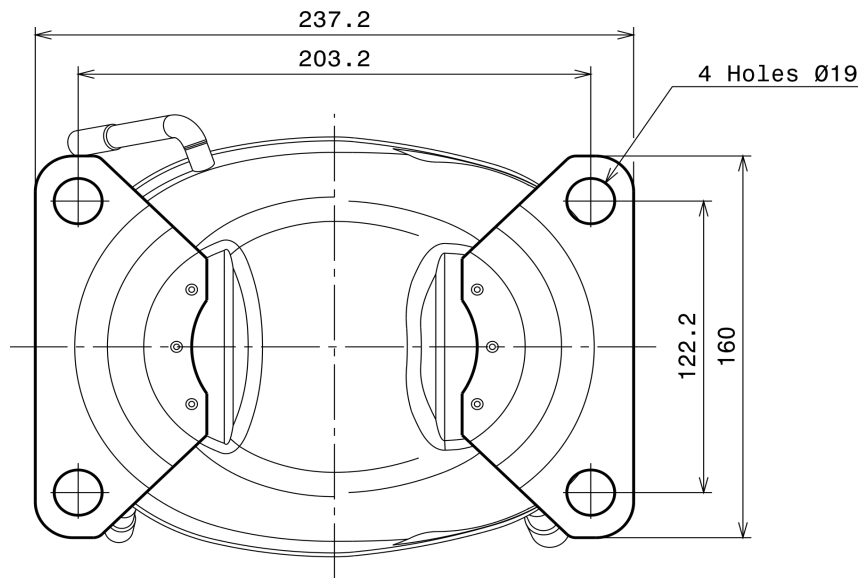
WIRING DIAGRAMS AND ELECTRICAL ASSEMBLY

CSR CONNECTION (EXTERNAL CONNECTING BOX) (NS Range)



Technical Data Sheet

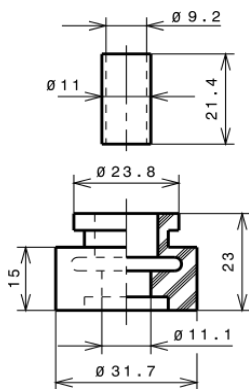
FIXINGS



SILENT BLOCKS (MOUNTING ACCESSORIES)

STANDARD

Ø19 holes (203.2x122.2 net)



SOA

SOA R404A HMBP

