

Technical Data Sheet

Compressor model **GLY80AAa**
 Voltage **220-240V 50Hz ~1**
 Refrigerant **R134a**

APPLICATION

Application Low Back Pressure
 Refrigerant R134a
 Evaporating Temp. -35,0 °C to -10,0 °C
 Expansion Capillar
 Comp. Cooling Static
 Max. ambient temp. 43,0 °C
 Compatible refriger. R1234yf

COMPRESSOR

Displacement 8,10 cm³
 Diameter 24,29 mm
 Stroke 17,47 mm
 Net Weight 9,51 Kg
 Oil type ISO VG 32 ESTER
 Oil charge 400 cm³

MOTOR

Nominal Power 1/5 hp
 Voltage/Frequency 220-240V 50Hz
 Voltage range 187-255 V
 Type RSIR
 Phase number 1 PH
 Locked Rotor Amps (LRA) 9,50 A
 Max. Cont. Current (MCC) 1,70 A
 Main W. resist. at 25°C 11,00 Ω
 Start W. resist. at 25°C 15,60 Ω

NOMINAL PERFORMANCE

	ASHRAE	CECOMAF
Cooling Capacity	191 kCal/h	164 W
COP	1,37 W/W	1,07 W/W
EER	1,18 kCal/Wh	0,92 kCal/Wh
Input Power	162 W	154 W
Current	1,12 A	1,09 A

APPROVALS



TEST CYCLE CONDITIONS

	ASHRAE LBP (B)	CECOMAF LBP (A)
Evaporating temp. (T _e)	-23,3 °C	-25,0 °C
Condensing temp. (T _c)	55,0 °C	55,0 °C
Liquid temp. (T _{liq.})	32,0 °C	55,0 °C
Ambient temp. (T _{amb.})	32,0 °C	32,0 °C
Suction temp. (T _{suction})	32,0 °C	32,0 °C
Voltage/Frequency	220 V 50 Hz	220 V 50 Hz

ELECTRICAL COMPONENTS

Relay	Option 1			
Reference	PTC K100			
Voltage	200-240 V			
Resistance	14.00 Ω			
Protector	Option 1	Option 2		
Reference	T0490	AE11FU		
Current	9,40 A	9,40 A		
Time check	7,5-14 seg	7,5-14 seg		
Disc temp. (Open/Close)	130,00 / 62,00 °C	120,00 / 62,00 °C		

ASHRAE

Tc °C	Te °C	Cooling Capacity kCal/h	Consumption W	Current A	COP W/W	EER kCal/Wh
40	-35	128	114	0,95	1,31	1,12
40	-30	161	131	1,01	1,43	1,23
40	-25	205	150	1,07	1,59	1,37
40	-23,3	222	156	1,10	1,65	1,42
40	-20	259	170	1,15	1,78	1,53
40	-15	325	191	1,23	1,98	1,70
40	-10	401	214	1,31	2,18	1,87

45	-35	118	112	0,94	1,23	1,05
45	-30	151	131	1,01	1,34	1,15
45	-25	194	151	1,08	1,50	1,29
45	-23,3	212	158	1,11	1,56	1,34
45	-20	249	173	1,16	1,68	1,44
45	-15	314	196	1,25	1,87	1,60
45	-10	391	221	1,34	2,06	1,77

50	-35	107	109	0,93	1,14	0,98
50	-30	140	130	1,00	1,25	1,08
50	-25	184	152	1,08	1,41	1,21
50	-23,3	201	160	1,11	1,46	1,26
50	-20	239	176	1,17	1,58	1,36
50	-15	304	201	1,26	1,76	1,51
50	-10	380	227	1,36	1,95	1,67

55	-35	97	107	0,92	1,05	0,91
55	-30	130	130	1,00	1,17	1,00
55	-25	174	154	1,09	1,32	1,13
55	-23,3	191	162	1,12	1,37	1,18
55	-20	228	179	1,18	1,48	1,28
55	-15	294	206	1,28	1,66	1,43
55	-10	370	234	1,39	1,84	1,58

60	-35	87	105	0,91	0,96	0,83
60	-30	120	129	1,00	1,08	0,93
60	-25	163	155	1,09	1,23	1,06
60	-23,3	181	164	1,13	1,28	1,10
60	-20	218	182	1,19	1,39	1,20
60	-15	283	211	1,30	1,56	1,35
60	-10	360	241	1,42	1,74	1,49

65	-35	76	102	0,90	0,87	0,75
65	-30	109	128	1,00	0,99	0,85
65	-25	153	156	1,10	1,14	0,98
65	-23,3	170	166	1,13	1,20	1,03
65	-20	208	185	1,21	1,30	1,12
65	-15	273	215	1,32	1,47	1,27
65	-10	349	247	1,44	1,64	1,41

CECOMAF

Tc °C	Te °C	Cooling Capacity W	Consumption W	Current A	COP W/W	EER kCal/Wh
40	-35	139	114	0,95	1,22	1,06
40	-30	179	131	1,01	1,36	1,18
40	-25	228	150	1,07	1,52	1,31
40	-23,3	247	156	1,10	1,58	1,36
40	-20	287	170	1,15	1,69	1,46
40	-15	357	191	1,23	1,87	1,61
40	-10	436	214	1,31	2,04	1,76

45	-35	124	112	0,94	1,11	0,96
45	-30	160	131	1,01	1,22	1,06
45	-25	207	151	1,08	1,37	1,18
45	-23,3	225	158	1,11	1,42	1,23
45	-20	263	173	1,16	1,52	1,32
45	-15	330	196	1,25	1,68	1,46
45	-10	407	221	1,34	1,85	1,59

50	-35	108	109	0,93	0,98	0,85
50	-30	141	130	1,00	1,09	0,94
50	-25	185	152	1,08	1,22	1,05
50	-23,3	203	160	1,11	1,26	1,09
50	-20	239	176	1,17	1,36	1,18
50	-15	304	201	1,26	1,51	1,31
50	-10	378	227	1,36	1,66	1,44

55	-35	92	107	0,92	0,86	0,74
55	-30	123	130	1,00	0,95	0,82
55	-25	164	154	1,09	1,07	0,92
55	-23,3	180	162	1,12	1,11	0,96
55	-20	215	179	1,18	1,20	1,04
55	-15	277	206	1,28	1,35	1,16
55	-10	349	234	1,39	1,49	1,29

60	-35	76	105	0,91	0,72	0,63
60	-30	104	129	1,00	0,81	0,70
60	-25	143	155	1,09	0,92	0,80
60	-23,3	158	164	1,13	0,97	0,83
60	-20	192	182	1,19	1,05	0,91
60	-15	251	211	1,30	1,19	1,03
60	-10	320	241	1,42	1,33	1,15

65	-35	60	102	0,90	0,59	0,51
65	-30	86	128	1,00	0,67	0,58
65	-25	122	156	1,10	0,78	0,67
65	-23,3	136	166	1,13	0,82	0,71
65	-20	168	185	1,21	0,91	0,78
65	-15	224	215	1,32	1,04	0,90
65	-10	290	247	1,44	1,17	1,01

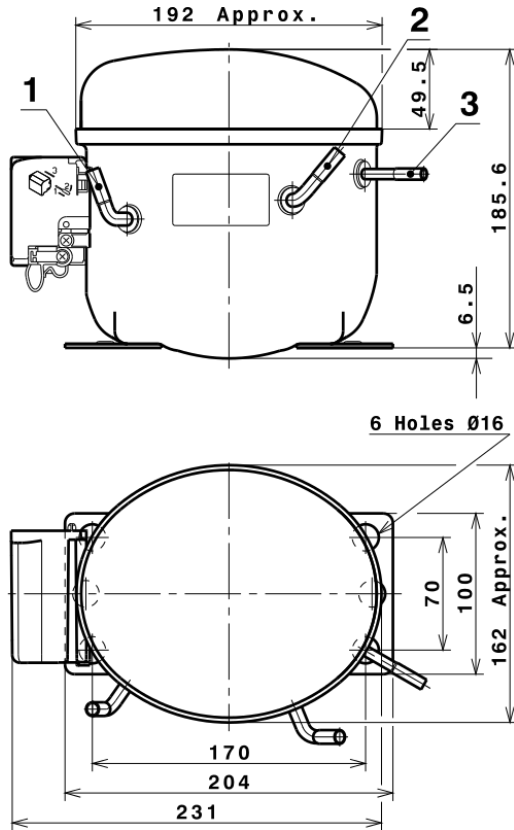
EN12900

X	Cooling Capacity (W)	Consumption (W)	Current (A)	Mass Flow (kg/h)
1	900,0994307440	186,5842508803	1,2140242646	16,034525537044
2	25,1179781707	2,5073583083	0,0101953115	0,50469065707322
3	-7,0991038576	2,1019534178	0,0079605146	-0,04964665310482
4	0,1986200843	0,0299531985	0,0001350166	0,0053573331784602
5	-0,1119093420	0,0736758500	0,0002764436	-3,5500307208669E-5

Equation	$x_1 + x_2Te + x_3Tc + x_4Te^2 + x_5TeTc$
----------	---

Technical Data Sheet

COMPRESSOR DIMENSIONS

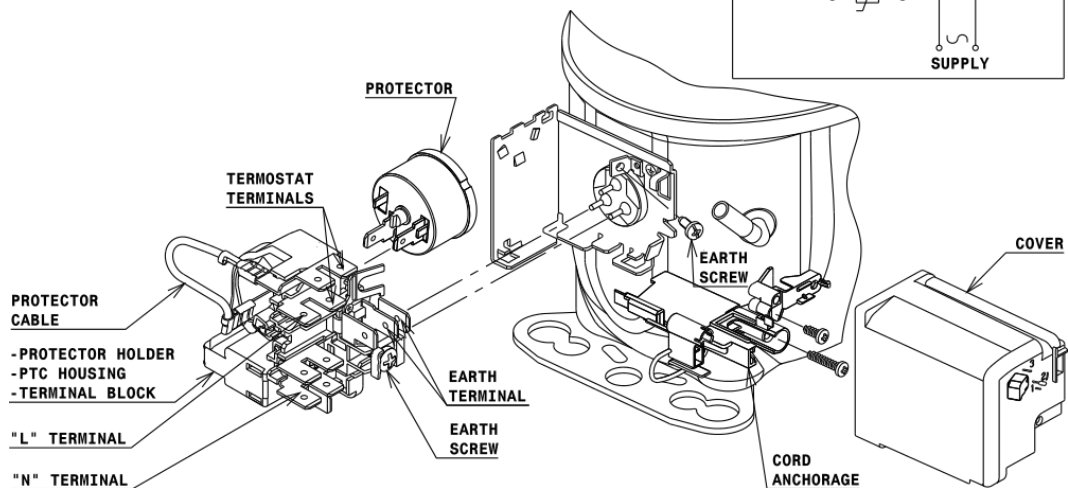
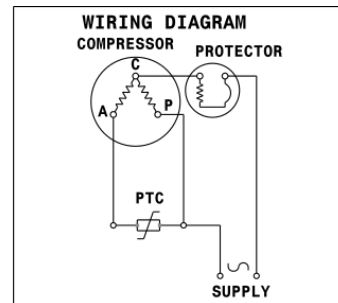


DESIGNATION INTERNAL DIAM.

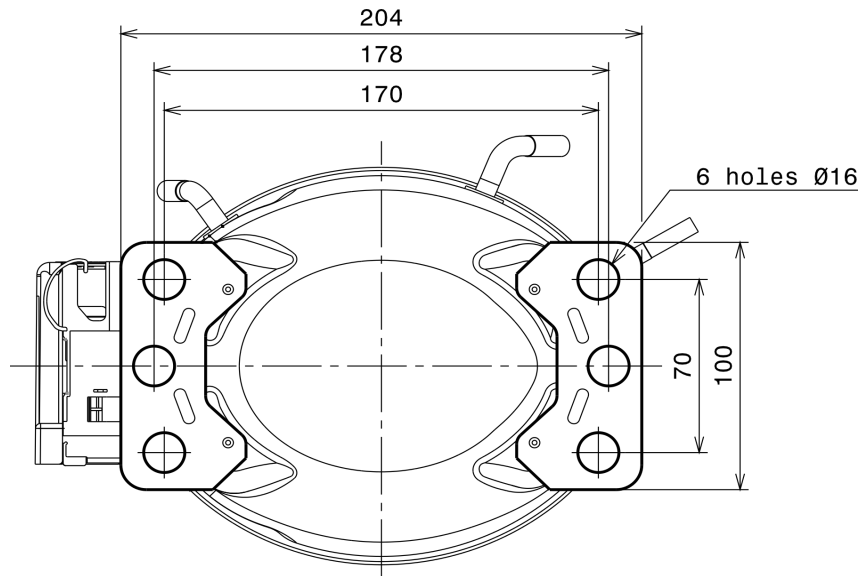
DESIGNATION	INTERNAL DIAM.
1 Suction	6,5 mm
2 Service	6,5 mm
3 Discharge	4,9 mm

WIRING DIAGRAMS AND ELECTRICAL ASSEMBLY

RSIR CONNECTION (PTC) (L, P ranges)



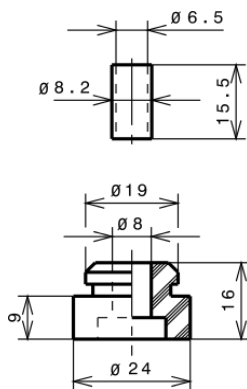
FIXINGS



SILENT BLOCKS (MOUNTING ACCESSORIES)

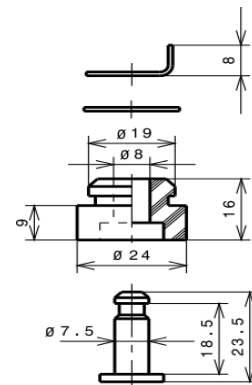
STANDARD

Ø16 holes (170x70 net)



SNAP-ON

Ø16 holes (170x70 net)



SOA

SOA R134a LBP

