

Technical Data Sheet

Compressor model **GLY70AAa**
 Voltage **220-240V 50Hz ~1**
 Refrigerant **R134a**

APPLICATION

Application Low Back Pressure
 Refrigerant R134a
 Evaporating Temp. -35,0 °C to -10,0 °C
 Expansion Capillar
 Comp. Cooling Static
 Max. ambient temp. 43,0 °C
 Compatible refriger. R1234yf

COMPRESSOR

Displacement 6,65 cm³
 Diameter 22,00 mm
 Stroke 17,47 mm
 Net Weight 9,09 Kg
 Oil type ISO VG 32 ESTER
 Oil charge 245 cm³

MOTOR

Nominal Power 1/5 hp
 Voltage/Frequency 220-240V 50Hz
 Voltage range 187-255 V
 Type RSIR
 Phase number 1 PH
 Locked Rotor Amps (LRA) 7,20 A
 Max. Cont. Current (MCC) 1,40 A
 Main W. resist. at 25°C 15,75 Ω
 Start W. resist. at 25°C 19,35 Ω

NOMINAL PERFORMANCE

	ASHRAE	CECOMAF
Cooling Capacity	156 kCal/h	133 W
COP	1,33 W/W	1,03 W/W
EER	1,15 kCal/Wh	0,89 kCal/Wh
Input Power	136 W	129 W
Current	0,88 A	0,85 A

APPROVALS

TEST CYCLE CONDITIONS

	ASHRAE LBP (B)	CECOMAF LBP (A)
Evaporating temp. (T _e)	-23,3 °C	-25,0 °C
Condensing temp. (T _c)	55,0 °C	55,0 °C
Liquid temp. (T _{liq.})	32,0 °C	55,0 °C
Ambient temp. (T _{amb.})	32,0 °C	32,0 °C
Suction temp. (T _{suction})	32,0 °C	32,0 °C
Voltage/Frequency	220 V 50 Hz	220 V 50 Hz

ELECTRICAL COMPONENTS

Relay	Option 1			
Reference	PTC K100			
Voltage	200-240 V			
Resistance	14.00 Ω			
Protector	Option 1	Option 2		
Reference	AE15BW	T0530		
Current	8,20 A	8,80 A		
Time check	7,5-14 seg	7,5-14 seg		
Disc temp. (Open/Close)	130,00 / 62,00 °C	110,00 / 61,00 °C		

Technical Data Sheet

ASHRAE

Tc °C	Te °C	Cooling Capacity kCal/h	Consumption W	Current A	COP W/W	EER kCal/Wh
40	-35	91	90	0,73	1,18	1,01
40	-30	124	107	0,78	1,35	1,16
40	-25	165	124	0,84	1,55	1,33
40	-23,3	180	130	0,86	1,62	1,39
40	-20	213	141	0,90	1,76	1,51
40	-15	270	159	0,97	1,97	1,69
40	-10	335	178	1,05	2,19	1,88

45	-35	84	89	0,73	1,10	0,95
45	-30	116	107	0,78	1,27	1,09
45	-25	157	125	0,84	1,45	1,25
45	-23,3	172	132	0,86	1,52	1,31
45	-20	205	144	0,91	1,65	1,42
45	-15	261	164	0,99	1,85	1,59
45	-10	326	184	1,08	2,06	1,77

50	-35	77	87	0,72	1,03	0,88
50	-30	109	107	0,78	1,18	1,02
50	-25	149	127	0,85	1,36	1,17
50	-23,3	164	134	0,87	1,43	1,23
50	-20	197	148	0,92	1,55	1,33
50	-15	252	169	1,01	1,74	1,50
50	-10	316	190	1,11	1,94	1,66

55	-35	70	86	0,72	0,95	0,81
55	-30	101	107	0,78	1,10	0,95
55	-25	141	129	0,85	1,27	1,09
55	-23,3	156	136	0,88	1,33	1,15
55	-20	188	151	0,94	1,45	1,25
55	-15	244	173	1,03	1,64	1,41
55	-10	307	196	1,14	1,82	1,57

60	-35	63	85	0,72	0,87	0,74
60	-30	94	107	0,78	1,02	0,88
60	-25	133	130	0,86	1,19	1,02
60	-23,3	148	138	0,89	1,25	1,07
60	-20	180	154	0,95	1,36	1,17
60	-15	235	178	1,05	1,54	1,32
60	-10	298	202	1,17	1,71	1,47

65	-35	56	83	0,71	0,78	0,67
65	-30	86	107	0,78	0,94	0,81
65	-25	125	132	0,86	1,10	0,95
65	-23,3	140	140	0,90	1,16	1,00
65	-20	171	157	0,96	1,27	1,09
65	-15	226	182	1,07	1,44	1,24
65	-10	288	208	1,20	1,61	1,39

CECOMAF

Tc °C	Te °C	Cooling Capacity W	Consumption W	Current A	COP W/W	EER kCal/Wh
40	-35	99	90	0,73	1,10	0,95
40	-30	137	107	0,78	1,29	1,11
40	-25	183	124	0,84	1,48	1,28
40	-23,3	200	130	0,86	1,54	1,33
40	-20	236	141	0,90	1,67	1,44
40	-15	297	159	0,97	1,86	1,61
40	-10	365	178	1,05	2,05	1,77

45	-35	88	89	0,73	0,99	0,86
45	-30	123	107	0,78	1,16	1,00
45	-25	166	125	0,84	1,33	1,15
45	-23,3	183	132	0,86	1,38	1,20
45	-20	217	144	0,91	1,50	1,30
45	-15	274	164	0,99	1,67	1,45
45	-10	340	184	1,08	1,85	1,59

50	-35	77	87	0,72	0,88	0,76
50	-30	110	107	0,78	1,03	0,89
50	-25	150	127	0,85	1,18	1,02
50	-23,3	165	134	0,87	1,23	1,06
50	-20	197	148	0,92	1,34	1,15
50	-15	252	169	1,01	1,50	1,29
50	-10	315	190	1,11	1,66	1,43

55	-35	66	86	0,72	0,77	0,66
55	-30	96	107	0,78	0,90	0,77
55	-25	133	129	0,85	1,03	0,89
55	-23,3	147	136	0,88	1,08	0,94
55	-20	178	151	0,94	1,18	1,02
55	-15	230	173	1,03	1,33	1,15
55	-10	289	196	1,14	1,48	1,28

60	-35	55	85	0,72	0,65	0,56
60	-30	82	107	0,78	0,77	0,66
60	-25	116	130	0,86	0,89	0,77
60	-23,3	130	138	0,89	0,94	0,81
60	-20	158	154	0,95	1,03	0,89
60	-15	208	178	1,05	1,17	1,01
60	-10	264	202	1,17	1,31	1,13

65	-35	44	83	0,71	0,53	0,46
65	-30	68	107	0,78	0,64	0,55
65	-25	100	132	0,86	0,76	0,65
65	-23,3	112	140	0,90	0,80	0,69
65	-20	139	157	0,96	0,89	0,77
65	-15	185	182	1,07	1,02	0,88
65	-10	239	208	1,20	1,15	0,99

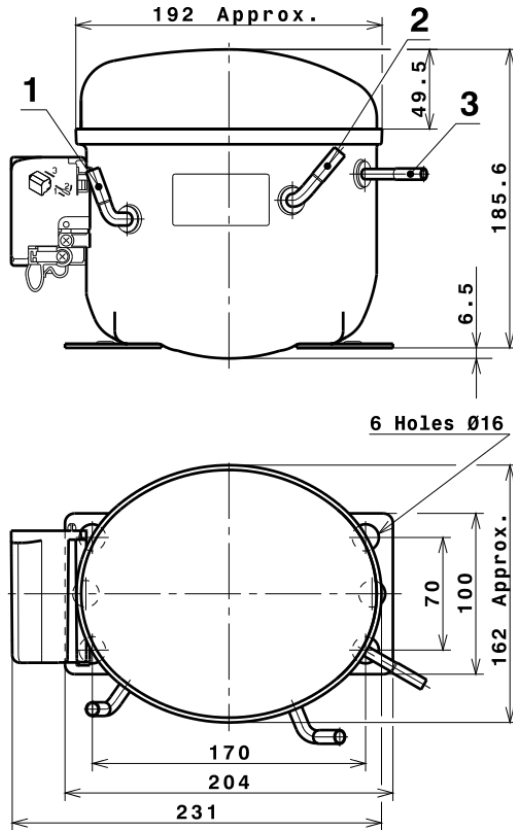
EN12900

X	Cooling Capacity (W)	Consumption (W)	Current (A)	Mass Flow (kg/h)
1	766,5292504605	148,8606582667	0,9498790689	13,680872149398
2	21,7318443035	1,6795315662	0,0139699600	0,43187302603847
3	-6,2948504228	1,8291059011	0,0086579901	-0,04920721554209
4	0,1464670500	0,0104116192	0,0002493844	0,0039811686913255
5	-0,1170340005	0,0600430475	0,0002688912	-0,00046904538673858

Equation	$x_1 + x_2Te + x_3Tc + x_4Te^2 + x_5TeTc$
----------	---

Technical Data Sheet

COMPRESSOR DIMENSIONS

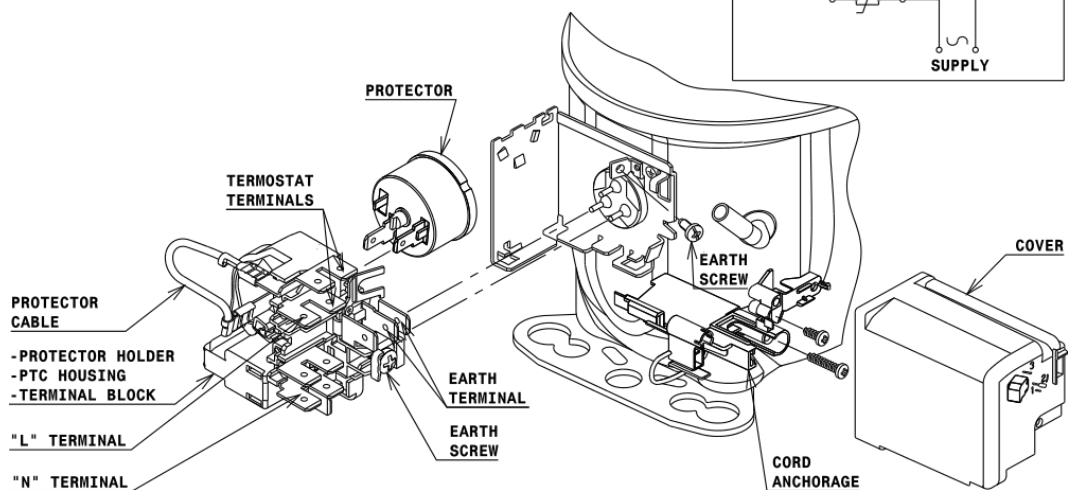
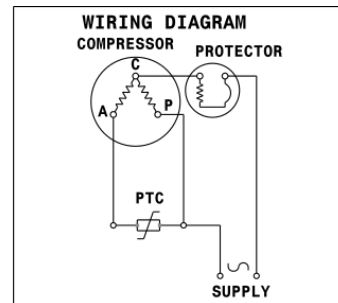


DESIGNATION INTERNAL DIAM.

DESIGNATION	INTERNAL DIAM.
1 Suction	6,5 mm
2 Service	6,5 mm
3 Discharge	4,9 mm

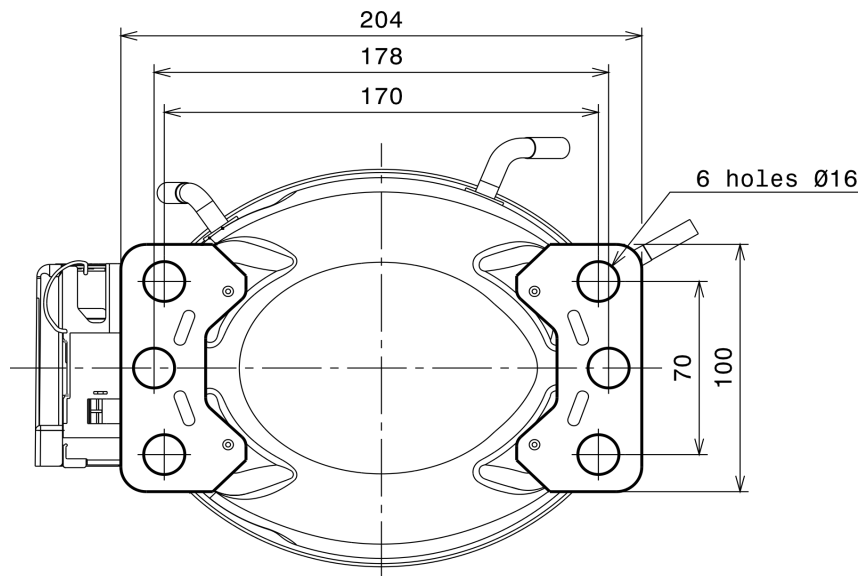
WIRING DIAGRAMS AND ELECTRICAL ASSEMBLY

RSIR CONNECTION (PTC) (L, P ranges)



Technical Data Sheet

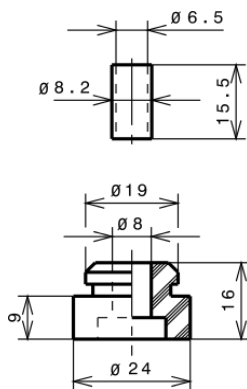
FIXINGS



SILENT BLOCKS (MOUNTING ACCESSORIES)

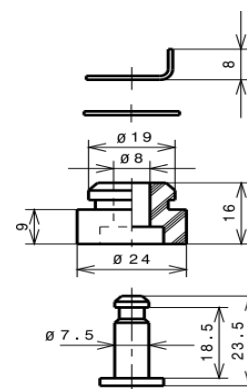
STANDARD

Ø16 holes (170x70 net)



SNAP-ON

Ø16 holes (170x70 net)



SOA

SOA R134a LBP

